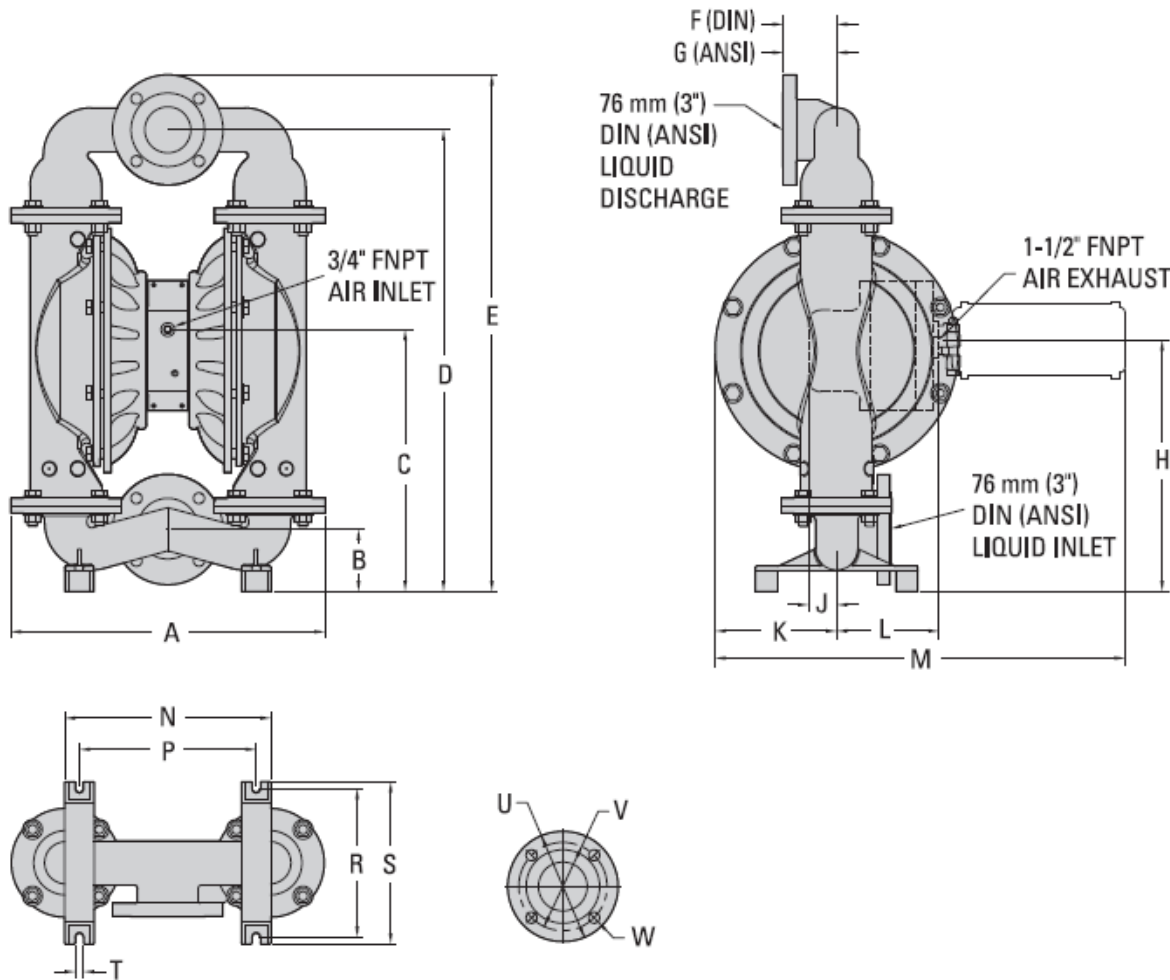


DIMENSIONAL DRAWINGS

PS1500 Metal – Stainless Steel



DIMENSIONS

ITEM	METRIC (mm)	STANDARD (inch)
A	541	21.3
B	107	4.2
C	451	17.8
D	795	31.3
E	892	35.1
F	89	3.5
G	91	3.6
H	433	17.1
J	48	1.9
K	211	8.3
L	177	7.0
M	707	27.8
N	356	14.0
P	305	12.0
R	257	10.1
S	279	11.0
T	15	0.6
	DIN (mm)	ANSI (inch)
U	200 DIA.	7.5 DIA.
V	160 DIA.	6.0 DIA.
W	18 DIA.	0.8 DIA.

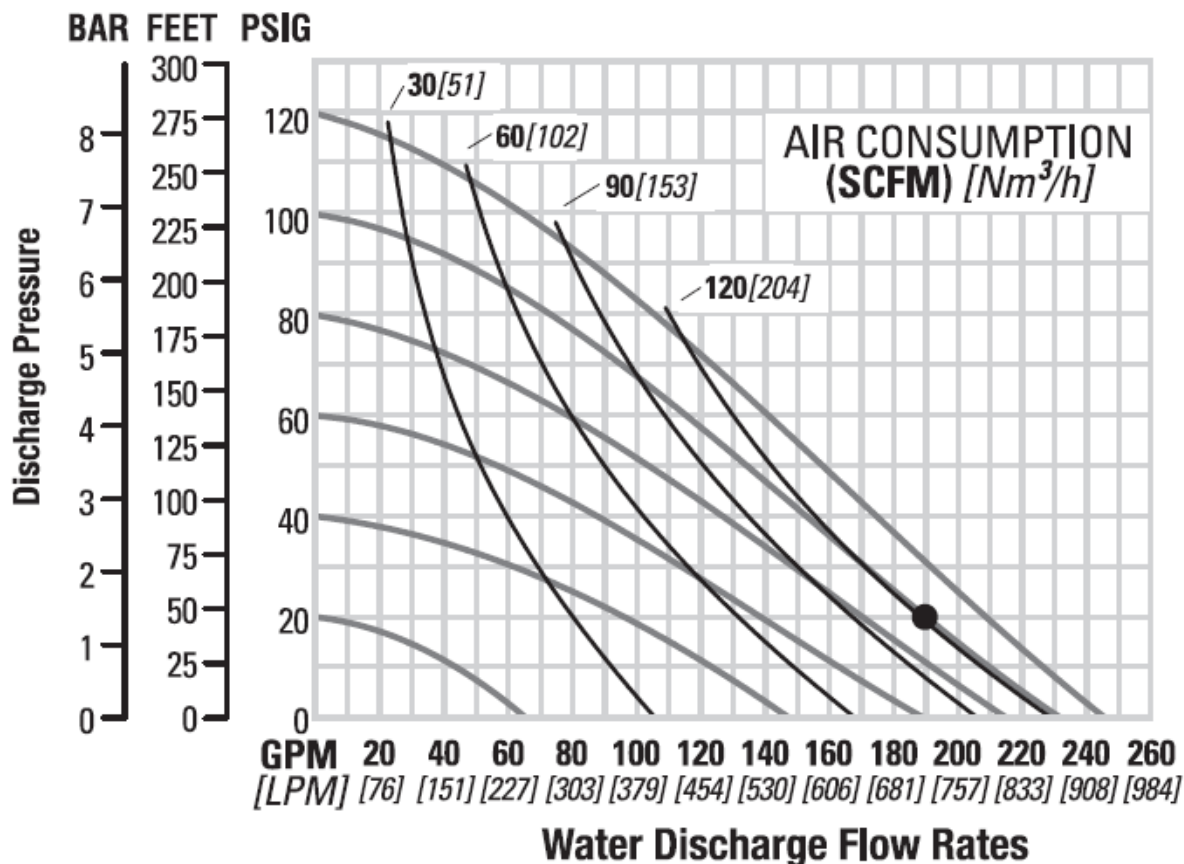
PS1500 STAINLESS STEEL FULL-STROKE PTFE-FITTED

Height892 mm (35.1")
 Width 541 mm (21.3")
 Depth389 mm (15.3")
 Ship Weight Stainless Steel 125 kg (275 lbs)
 Alloy C 130 kg (287 lbs)
 Air Inlet 19 mm (3/4")
 Inlet 76 mm (3")
 Outlet 76 mm (3")
 Suction Lift 4.9 m Dry (19.5')
 8.6 m Wet (28.4')
 Disp. per Stroke4.9 L (1.29 gal)¹
 Max. Flow Rate 931 lpm (246 gpm)
 Max. Size Solids.....9.5 mm (3/8")

¹Displacement per stroke was calculated at 4.8 bar (70 psig) air inlet pressure against a 2.1 bar (30 psig) head pressure.

Example: To pump 719 lpm (190 gpm) against a discharge head of 1.4 bar (20 psig) requires 6.9 bar (100 psig) and 206 Nm³/h (121 scfm) air consumption.

Caution: Do not exceed 8.6 bar (125 psig) air supply pressure.



Flow rates indicated on chart were determined by pumping water.

For optimum life and performance, pumps should be specified so that daily operation parameters will fall in the center of the pump's performance curve.